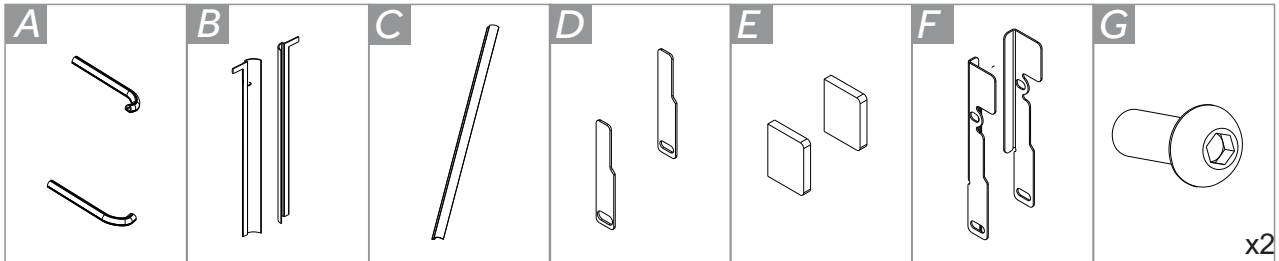


Seal Kit

K1002 - RANGER 24

COMPONENTS



TOOLS



ALCOHOL



CLEAN CLOTH



PRIMER

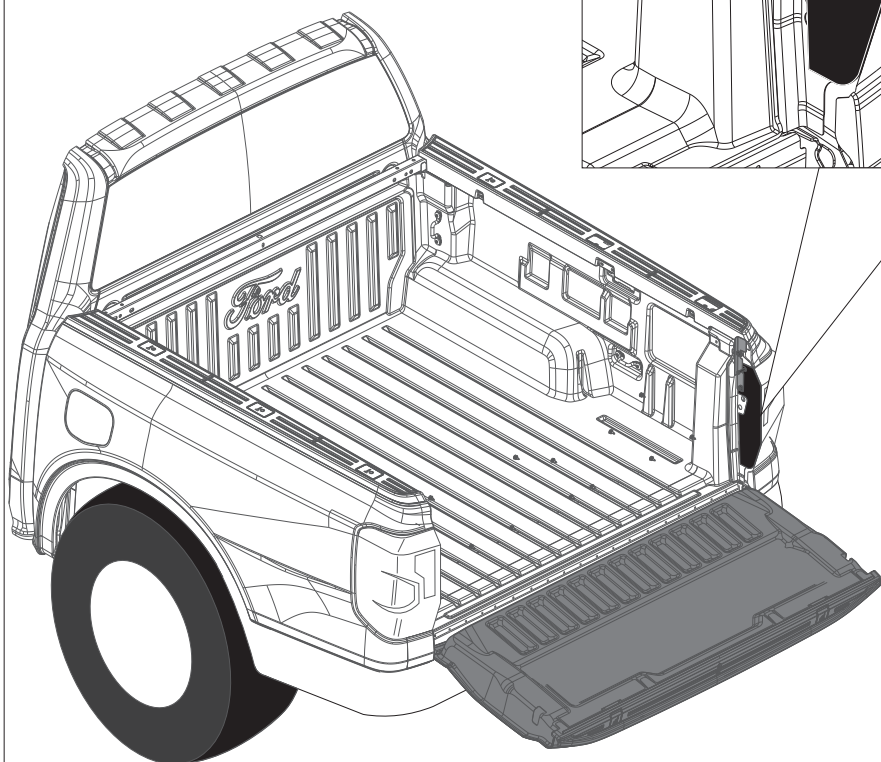
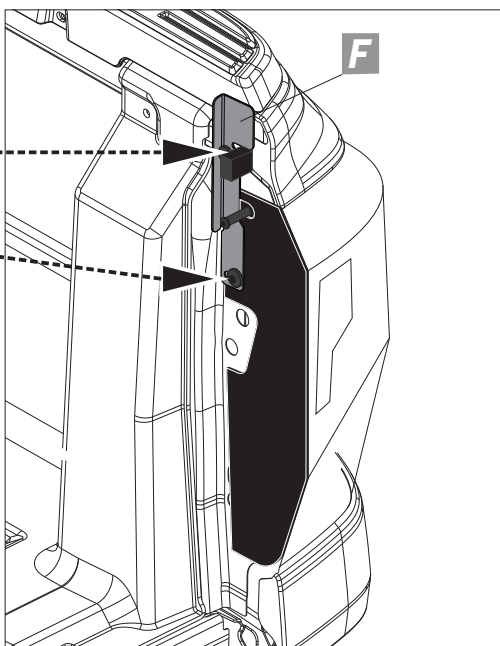


RUBBER HAMMER

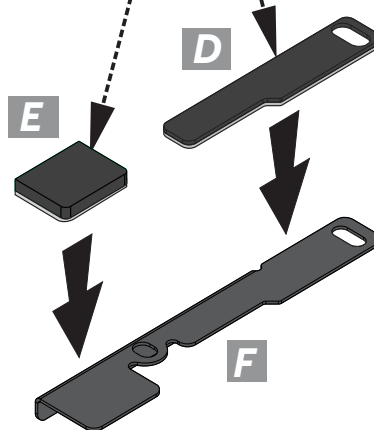
INSTALLATION INSTRUCTIONS

1 Repeat the procedure for the other side

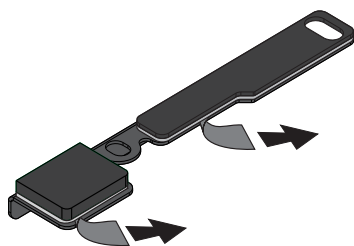
Remove the screws to run seal bonding.



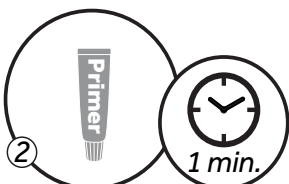
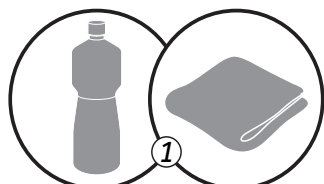
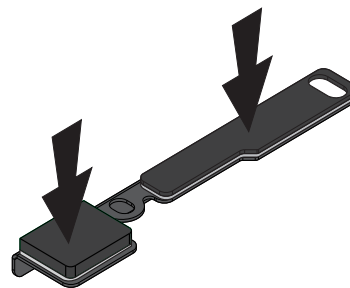
- Position and align with the part



- Partially remove the tape

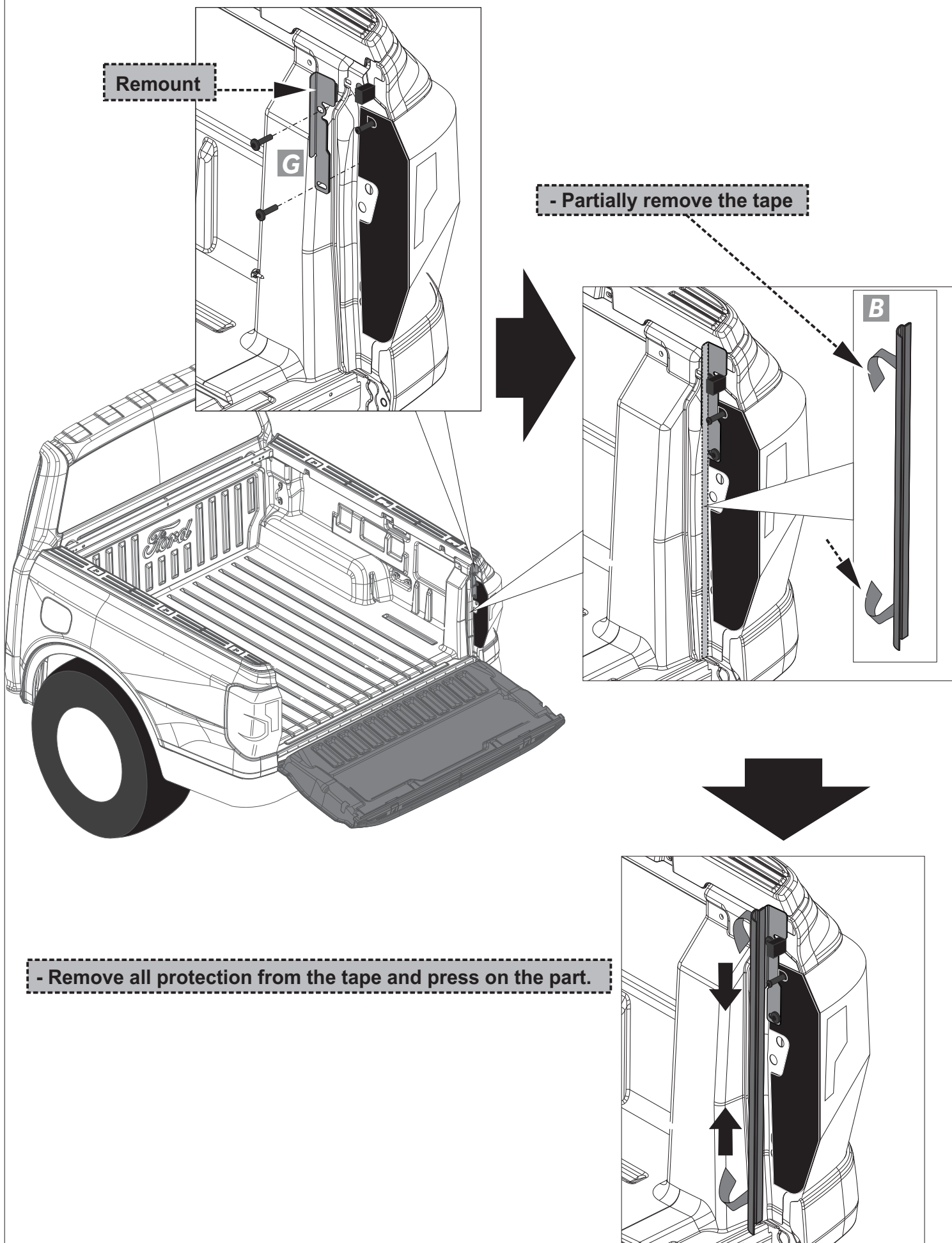


- Remove all protection from the tape and press on the part.



INSTALLATION INSTRUCTIONS

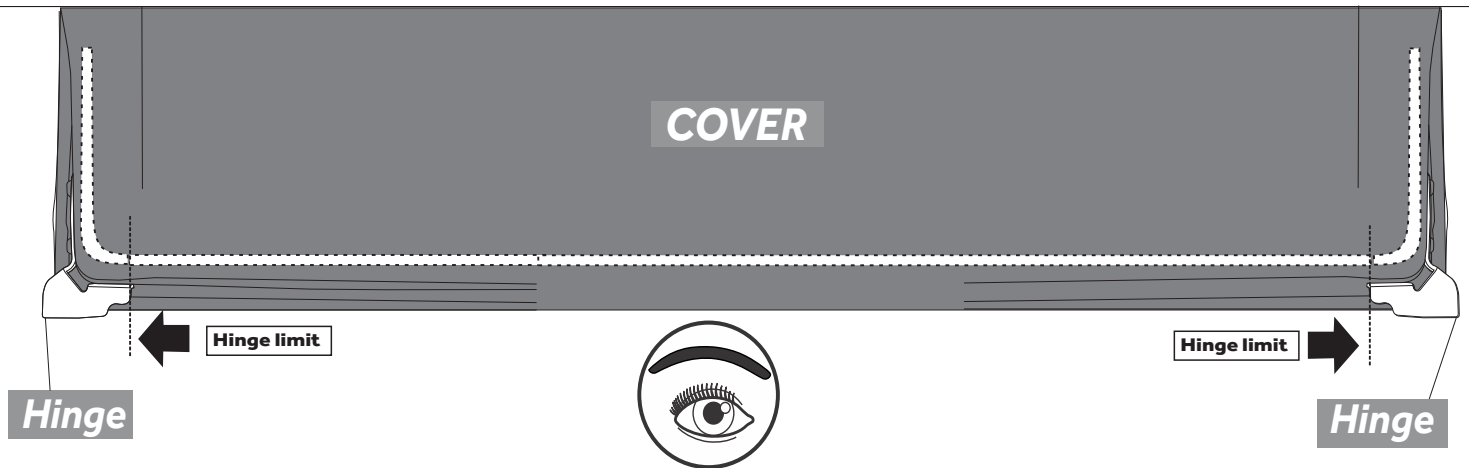
2 Repeat the procedure for the other side.



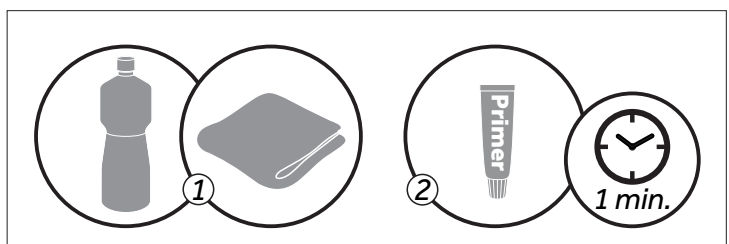
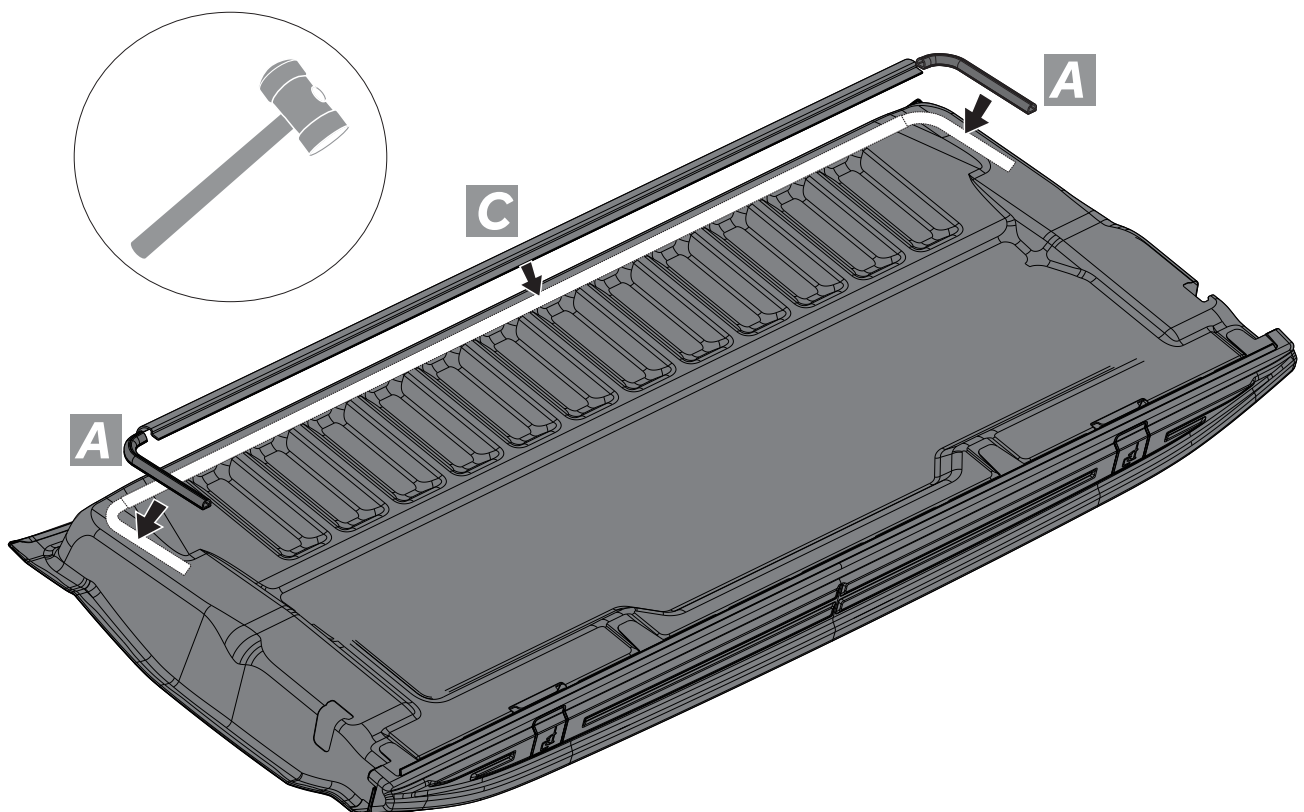
INSTALLATION INSTRUCTIONS

3 Repeat the procedure for the other side.

Positioning of the rubbers on the cover



Pressure to adhere adhesive tape



Warranty

Keko Acessórios S.A. warrants to the original purchaser of Keko's products, for the period of one year, from the date of the purchase, that the product is free from defects in raw material, workmanship or finishing and it is Keko's obligation, under this warranty, to repair or replace, at Keko's election, any part or parts of the product which prove to be defective. This warranty shall not apply to any product which has suffered damage from collision, mishandling, misuse, incorrect cleaning, and incorrect installation or to any product that has been altered from its original conception or had its serial number (available in the product and packaging) removed.

Maintenance, cleaning and durability: for cleaning use only water, neutral soap and sponge or flannel. Periodically use automotive wax to conserve the chrome-plated parts. Never use chemicals or abrasive products not to scratch and expose the product to corrosion.

Warranty Claim: request the shop where the accessory was purchased to evaluate the defect. If proved to be Keko's liability, the part will be repaired or replaced without charge. The repair or replacement of the parts will not result in extension of the warranty term provided.

Keko's Liability Term: Keko does not assume any responsibility for the mishandling or wrong installation of its products. After using the product/packaging we recommend the appropriate destination for each type of material according applicable law.

Keko's products are merely decorative and do not guarantee the safety of the occupant or vehicle in case of a rollover or other vehicle accident.